

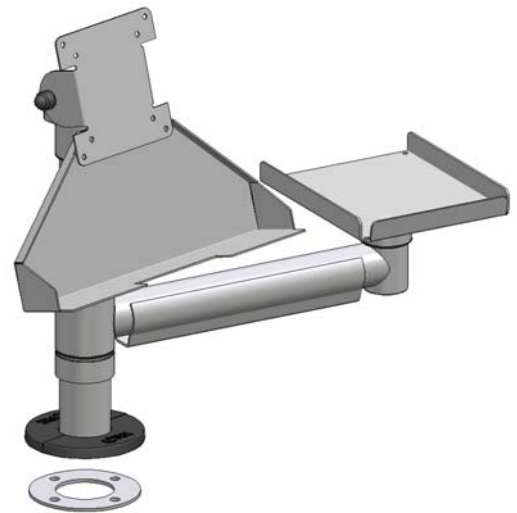
# NCR674-nn

## Product Specifications

NCR674 SpacePole® configuration supports the NCR EasyPoint Advantage™ and 7198 printer. The NCR674 offers a range of flexibility and offers tilt, rotation and cable management. The cable cover comes as standard protects and manages cables into the pole; additionally the cover hides operational buttons but keeps engineering access simple.

### Technical Specifications

Standard Pole Height	300mm
Cable Management	Internal
Printer Plate	NCR 7198
Cable Cover	√
Screen Rotation	√
Screen Tilt (forward)	√
Screen Tilt (backward)	√
Footprint	Ø97mm
Pole Diameter	Ø44.5mm
Fasteners & Fixings	M6/50 button head bolt, washer & nut kit
Colour <nn>	05-Iron Grey
Warranty	5 Years



www.spacepole.com

### Configure Your Part Number - NCR674

NCR674-nn      nn = Colour Code  
 -05 - Iron Grey

To mount different peripherals to that are shown please contact us.

All SpacePole installations for the NCR EasyPoint Advantage™ ensure the Kiosk can be installed in any environment in a safe and secure manner, providing piece of mind for the investment made on the technology.

For additional information on NCR EasyPoint Advantage™ mountings please contact us.