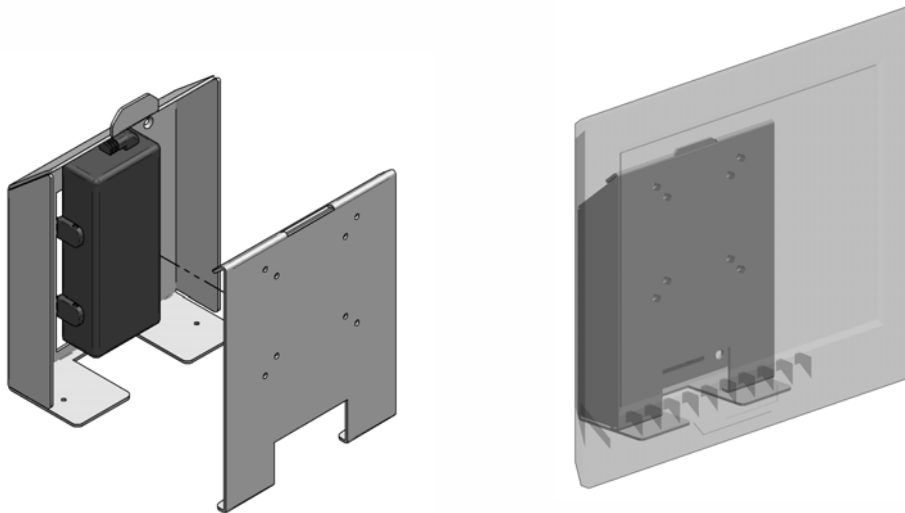


NCR691-nn

Product Specifications

NCR691 SpacePole® solution allows the NCR EasyPoint Advantage™ to fix to a wall or to any secure vertical surface. Cables and the power pack are managed internally using a 2 part solution design, which also ensures a simple and fast installation. Ideally suited for simple product information and price verification applications.



www.spacepole.com

Technical Specifications

Power Pack Holder	√
Cable Management	Internal
Footprint	180 x 187mm
Colour <nn>	05-Iron Grey
Warranty	5 Years

Configure Your Part Number - NCR691

NCR691-nn nn = Colour Code
 -05 - Iron Grey

Note: No fixings are provided on wall mounts, the installation engineer needs to ensure the right screws are used for the particular wall they are fixing to.

All SpacePole installations for the NCR EasyPoint Advantage™ ensure the Kiosk can be installed in any environment in a safe and secure manner, providing piece of mind for the investment made on the technology.

For additional information on NCR EasyPoint Advantage™ mountings please contact us.