



NCR692-nn

Product Specifications

The NCR692 simply grips the NCR EasyPoint Advantage™ power pack using friction pad design. The mount can be fixed to any surface including wall, counter, checkout or shelving, helps to prevent cable strain after installation on any NCR EasyPoint Advantage™ configuration.

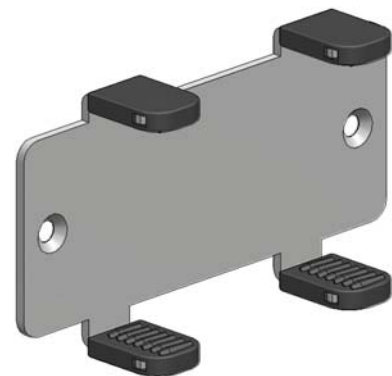
Technical Specifications

Power Pack Holder	√
Rubber Friction pads	4
Footprint	179 x 96mm (W x H)
Colour <nn>	05-Iron Grey
Warranty	5 Years

Note: No fixings are provided on wall mounts, the installation engineer needs to ensure the right screws are used for the particular wall they are fixing to.

All SpacePole installations for the NCR EasyPoint Advantage™ ensure the Kiosk can be installed in any environment in a safe and secure manner, providing piece of mind for the investment made on the technology.

For additional information on NCR EasyPoint Advantage™ mountings please contact us.



www.spacepole.com

Configure Your Part Number - NCR692

NCR692-nn

nn = Colour Code
-05 - Iron Grey